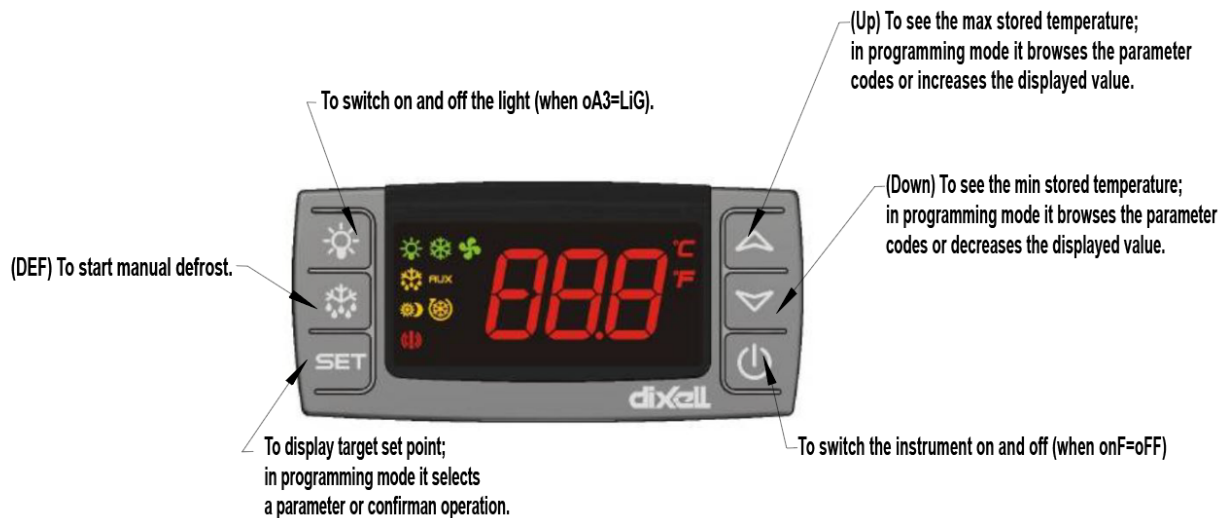


Dixell XR70CX Controller

Function:

The Dixell XR70CX is a microprocessor based controller used on Hillphoenix Coolgenix® medium-temperature service display cases. This controller has four relay outputs to control set-points for temperature and defrost times. All controllers on Coolgenix display cases are factory programmed. If a controller needs to be replaced, it must be purchased from Hillphoenix. The XR70CX used in our cases are specifically programmed for Hillphoenix. This controller purchased from other vendors will not be programmed to accept the required case settings and will not work in the Hillphoenix display cases.

Controller:



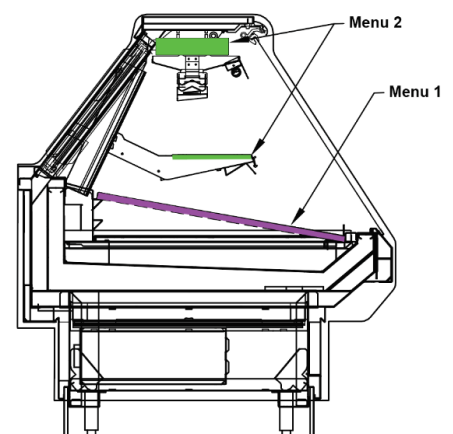
Menus:

There are three menus on this controller that may need adjusted.

Menu 1 is programmed for the deck pans.

Menu 2 is programmed for shelves and top coil.

Menu 3 is programmed for the defrost termination probe, defrost termination value, interval between defrosts, and maximum defrost length.



Menu 1	Deck pans: SET = cut-out (29°F)
Menu 2	Shelves: (SAA) = cut-out (29°F), SHY = differential (4) Top coil: (FST) = cut-in (36°F), AFH = differential (5) HY = differential for the deck pans (4)
Menu 3	Defrost termination probe: (dFP) = P2 Defrost termination value: (dtE) = 45 Interval between defrost: (idF) = 24 Maximum defrost length: (MdF) = 60 HY = differential for the deck pans (4) To check current temperatures for each zone: Deck Pans = DP1 Top Coil = DP2 Shelf = DP3

Setup Instructions:

- To unlock the keypad, press and hold the up and down arrows at the same time until “PON” is displayed.
- To lock the keypad, press and hold the up and down arrows until “POF” is displayed.

Menu 1

- To access **Menu 1**: Push the “SET” key for more than 2 seconds until the “F” or “C” icon blinks.



Menu 1	Deck pans: SET = cut-out (29°F)
--------	---------------------------------

- Once in the setup mode, push “SET” to view set-point and to edit a value.
- Use the up and down buttons to change the value.
- Only “St1” is to be set for deck pans.
- Press “SET” button to store the new value and move to the following parameter.
- To scroll through the menu, push the up and down arrows.
- To exit: Press “SET” + the up arrow at the same time or let the display time out without holding any buttons for 15 seconds.

Menu 2

Menu 2	Shelves: (SAA) = cut-out (29°F), SHY = differential (4) Top coil: (FST) = cut-in (36°F), AFH = differential (5) HY = differential for the deck pans (4)
--------	---

- To access **Menu 2**, while in Menu 1 press “SET” and the down arrow at the same time and hold for more than 2 seconds.
- When the “HY” appears you are now in Menu 2.
- Press “SET” to check the parameter for “HY” and ensure it is set on 4.
- Press “SET” button to store the new value and move to the following parameter.
- To scroll through the menu, push the up and down arrows.
- To exit: Press “SET” + the up arrow at the same time or let the display time out without holding any buttons for 15 seconds.

Menu 3

Menu 3	Defrost termination probe: (dFP) = P2 Defrost termination value: (dtE) = 45 Interval between defrost: (idF) = 24 Maximum defrost length: (MdF) = 60 HY = differential for the deck pans (4) To check current temperatures for each zone: Deck Pans = DP1 Top Coil = DP2 Shelf = DP3
--------	---

- To access **Menu 3**, while in Menu 2 press “SET” and the down arrow at the same time and hold for more than 7 seconds.
- If changing a value, press “SET” button to store the new value and move to the following parameter.
- To scroll through the menu, push the up and down arrows.
- To exit: Press “SET” + the up arrow at the same time or let the display time out without holding any buttons for 15 seconds.

Frequently asked questions:

Does the temperature shown on the controller indicate the display case or product temperature?

The temperature displayed on the controller reflects the surface temperature (deck pans/top coil/shelf) of where the probe is located in the display case, not the product temperature.

How long will the display case be in defrost?

The XR70CX has one defrost per day for 60 minutes.

Is there an option for manual defrost?

There is an option to put the display case in manual defrost, simply push the defrost button (snowflake) until "dF" is displayed. The display case will be in the defrost mode for approximately 20 minutes or until the display case reaches its defrost termination temperature.

Once the manual defrost is activated, can the manual defrost be cancelled?

The manual defrost cannot be cancelled.

After a manual defrost is complete will it automatically start the refrigeration after a set time?

After defrost is complete, the snowflake on the LED screen will automatically appear indicating the compressor and fans are on and the display case temperature will start to decrease.